



**950**

**Patio Door**

**Installation**

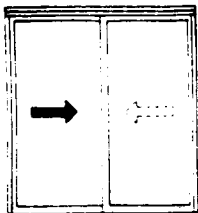
**Instructions**

# E950 PATIO DOOR

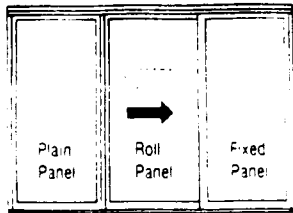
## FRAME ASSEMBLY & INSTALLATION INSTRUCTIONS—

### 2 & 3 PANEL DOORS

viewed from Exterior



2-PANEL (reversible handing)



3-PANEL (center vent-standard lefthand operating-solid arrow . . . reversible slide, righthand operating-dotted arrow)

MARK SIZE
5068
6068
8067
10068

DOOR SIZE
59 1/2" x 80 3/8"
71 1/2" x 80 3/8"
95 1/2" x 80 3/8"
119 1/2" x 80 3/8"

ROUGH OPENING
60" x 80 3/4"
72" x 80 3/4"
96" x 80 3/4"
120" x 80 3/4"

GLASS
28" x 76"
34" x 76"
46" x 76"
58" x 76"

#### 2-PANEL DOOR

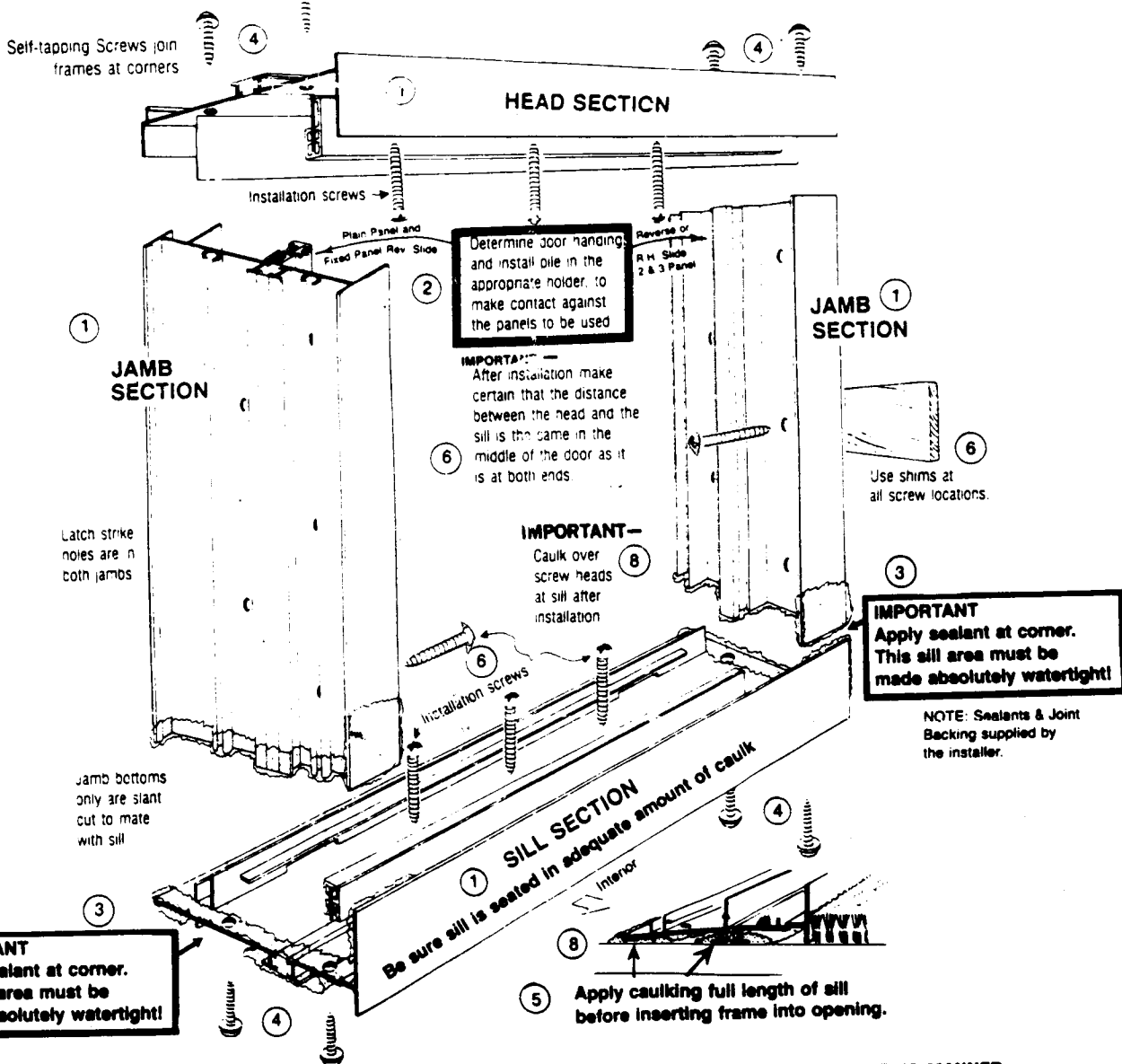
#### 3-PANEL DOOR

MARK SIZE
9068
12068
15068

DOOR SIZE
107 1/8" x 80 3/8"
143 1/8" x 80 3/8"
179 1/8" x 80 3/8"

ROUGH OPENING
107 5/8" x 80 3/4"
143 5/8" x 80 3/4"
179 5/8" x 80 3/4"

GLASS
34" x 76"
46" x 76"
58" x 76"



**CAPITOL WILL ASSUME NO RESPONSIBILITY FOR LEAKAGE IF DOOR IS NOT INSTALLED IN THIS MANNER.**

#### FRAME ASSEMBLY

— be certain that the woolpile is in the correct woolpile holder in the jambs. —

(1) Identify the jambs, head and sill sections. (2) Determine the door handing. Make sure woolpile is placed in the correct woolpile holder. (3) Apply sealant at frame corners (where shown on the drawing). (4) Install screws joining the frame sections. (5) Lay a bead of caulking on the threshold, beneath the frame sill. Then position the assembled frame into the rough opening. (6) Make sure frame is plumb and square in the opening. Use wood shims at all screw locations where #8 x 1 1/4" frame installation screws are installed.

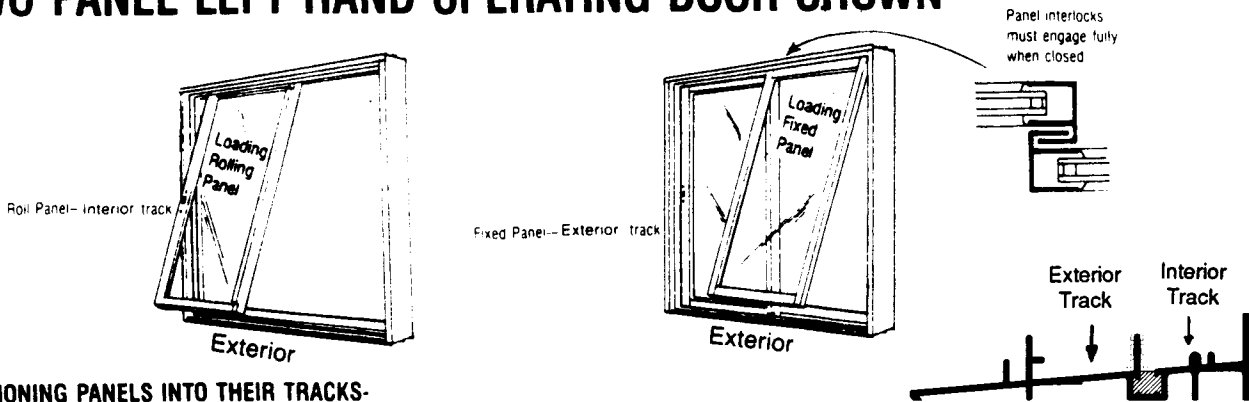
**IMPORTANT:** Measure the distance between the head and sill sections of the frame at both ends and in the center of door to be sure that they are all equal. If necessary make shim and screw adjustments to achieve an equal measurement all the way across and between these two sections!

(7) Insert joint backing (supplied by installer) between the frames and masonry wall before caulking. (8) Again, check the joint where the jambs meet the sill for watertightness and re-seal if necessary. Also, apply sealant over screw heads in sill.

**NOTE: BEFORE INSTALLING ROLL PANEL, ROLLERS MUST BE INSTALLED AT BOTTOM OF PANEL (SEE SHEET 1)**

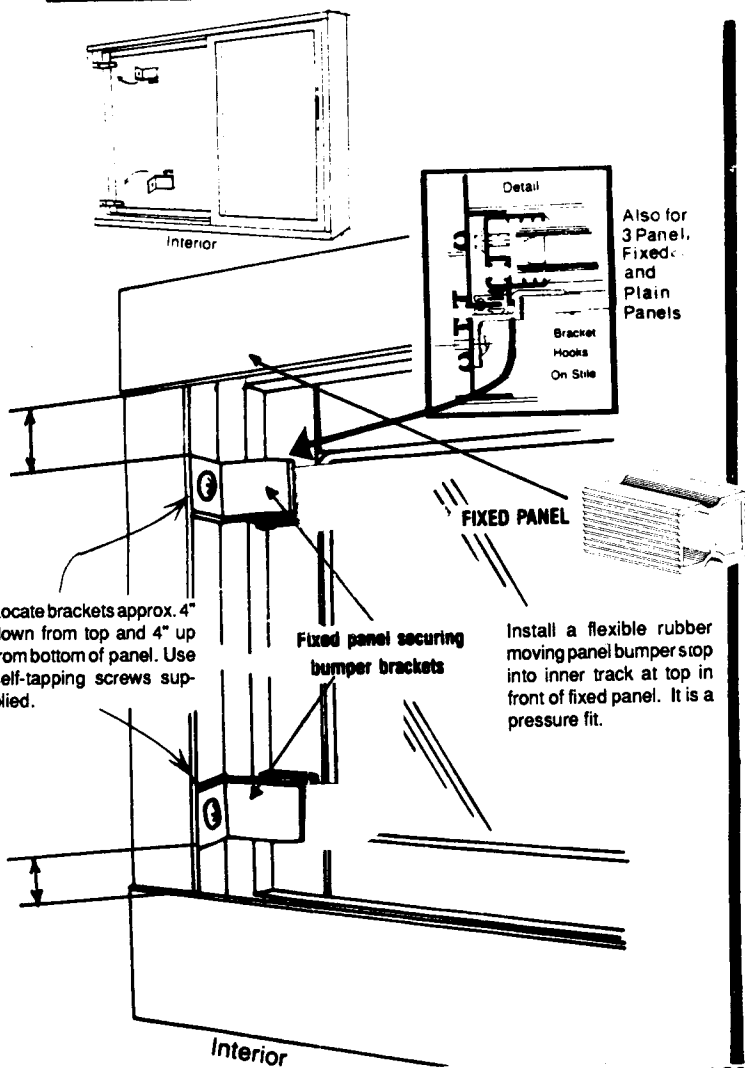
# PANEL LOADING AND INSTALLING

## TWO PANEL LEFT HAND OPERATING DOOR SHOWN

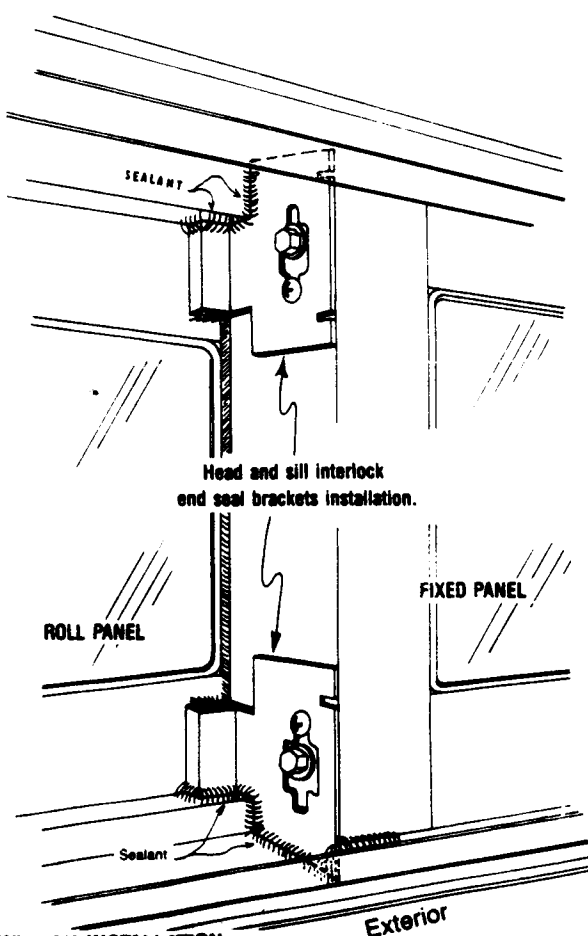


### 1. POSITIONING PANELS INTO THEIR TRACKS-

Working from outside, position panels into their tracks so that panel interlocks will engage when fixed panel is secured. Insert the rolling panel into the interior head pocket and lower onto interior sill track. Apply bumper stop at the center of frame jamb so that it will make contact against the thermal separator part of the rolling panel when it is in closed position. Next, insert fixed panel into the exterior head pocket and lower onto exterior sill track. Interlocks must fully engage with rolling panel when in closed position. Push fixed panel into jamb pocket.



(B) Finally, install two interlock end seals to the fixed panel interlock ends, with the woolpile making contact against the rolling panel surface. Apply a bead of sealant at joint of end seal to sill and to head.

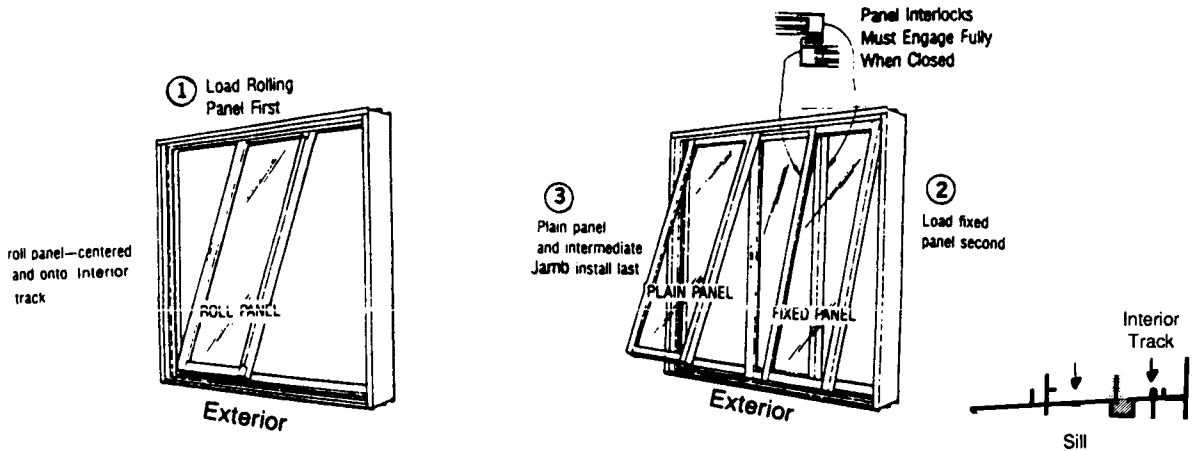


**SEE HARDWARE PACKAGE FOR LOCK/LATCH INSTALLATION.**

# Series 950 Door

## PANEL LOADING AND INSTALLING

### 3 PANEL—LEFT HAND OPERATING—CENTER SLIDE DOOR



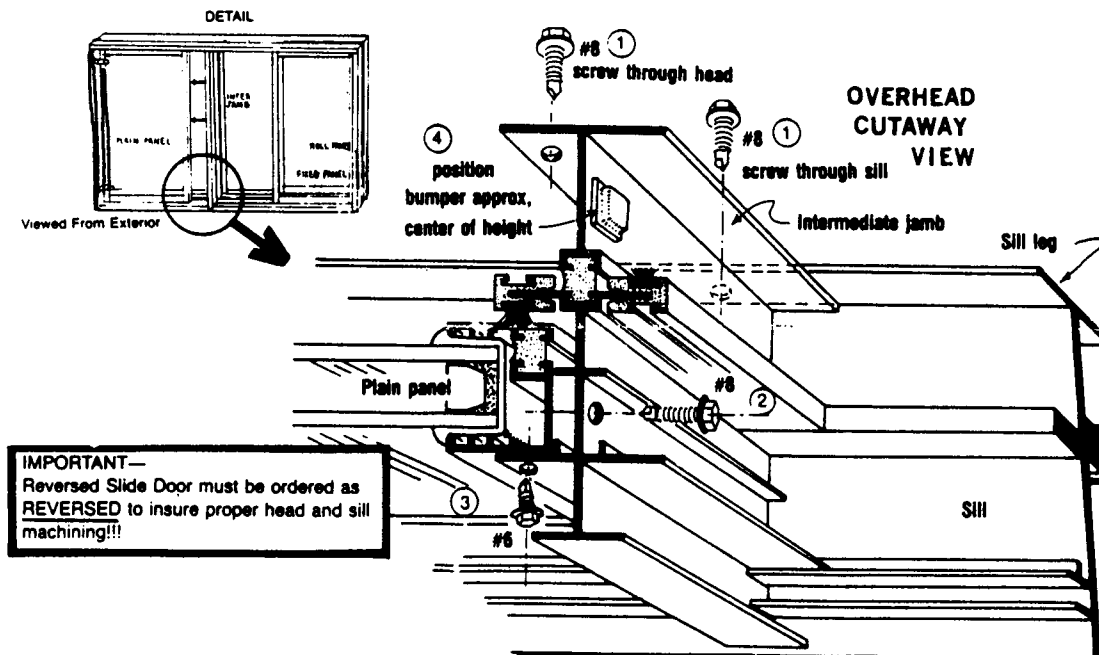
#### POSITIONING PANELS INTO THEIR TRACKS—

Working from outside, position panels into their tracks so that panel interlocks will engage when fixed and plain panels are secured. Insert rolling panel into interior head pocket and lower onto interior sill track.

Insert Fixed and Plain panels into exterior head pocket and lower onto exterior sill track as shown. Push Fixed and Plain panels into jamb pockets. Rolling and Fixed panel interlocks must engage fully when closed.

Plain and Fixed panels to be secured with Bumper Brackets as shown on sheet 2, section marked (A).

#### INTERMEDIATE JAMB WITH PLAIN PANEL STILE (standard slide shown reverse slide is opposite)



**IMPORTANT—**  
Reversed Slide Door must be ordered as REVERSED to insure proper head and sill machining!!!

#### INTERMEDIATE JAMB INSTALLATION

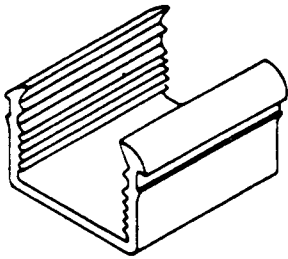
Open rolling panel. Position intermediate jamb on stile of plain panel. (see detail) Install (1) using  $\frac{1}{2}$ " #8 self drilling screws to fasten intermediate jamb to head and sill. (2) Secure to stile using  $\frac{1}{2}$ " #8 and (3)  $\frac{3}{8}$ " #6 screws where shown. (4) Apply bumper stop to intermediate jamb for L.H. or Center rolling panel as shown. (5) If R.H. rolling panel apply bumper stop at the center of frame jamb so that it will make contact against the thermal separator part of the rolling panel when it is in closed position.

FINALLY see Sheet 2, section marked (B) for sealing of fixed panel interlock end seal.

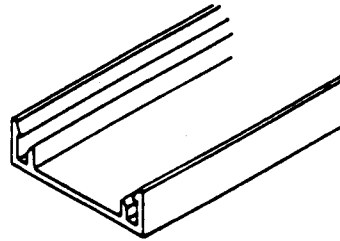
**SEE HARDWARE PACKAGE FOR LOCK/LATCH INSTALLATION.**

When ordering replacement parts, specify the following:

PART DESCRIPTION...PART NUMBER...QUANTITY NEEDED.

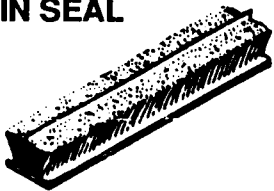


**RV950L**  
GLAZING GASKET  
3/4" GLASS



**75097**  
TOP AND BOTTOM  
RAIL INSULATOR

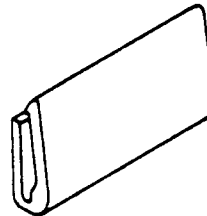
**FIN SEAL**



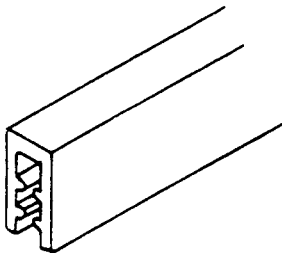
**E600134**  
(used horizontally)  
.210 PILE HT.

**Backer Side**

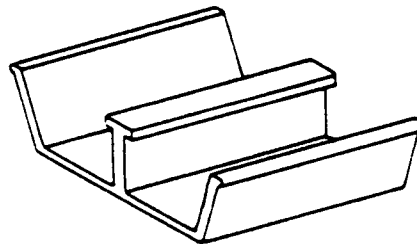
**75536**  
(used vertically)  
.250 PILE HT.



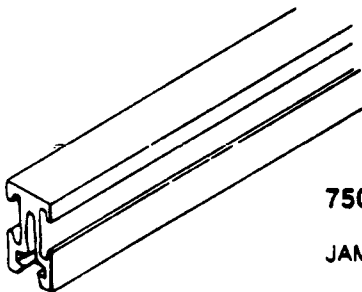
**80708**  
INTERLOCK STILE  
INSULATOR



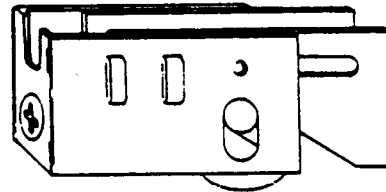
**75081**  
SILL INSULATOR



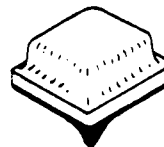
**80189**  
HEAD INSERT



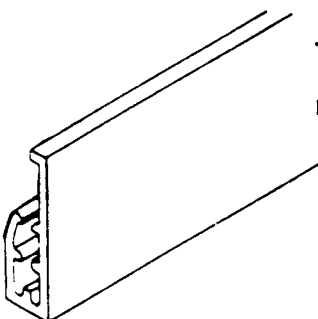
**75082**  
JAMB INSULATOR



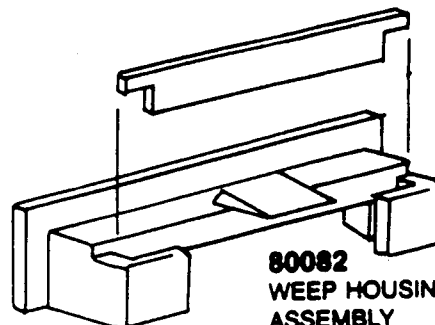
**80141**  
ROLLER  
ASSEMBLY



**80978**  
BUMPER



**75080**  
HEAD INSULATOR



**81253**  
WEEP FLAP

**80060**  
WEEP HOUSING

**80082**  
WEEP HOUSING  
ASSEMBLY

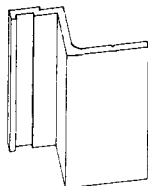
# 2 & 3 PANEL DOOR - PARTS LIST

When ordering replacement parts, specify the following:

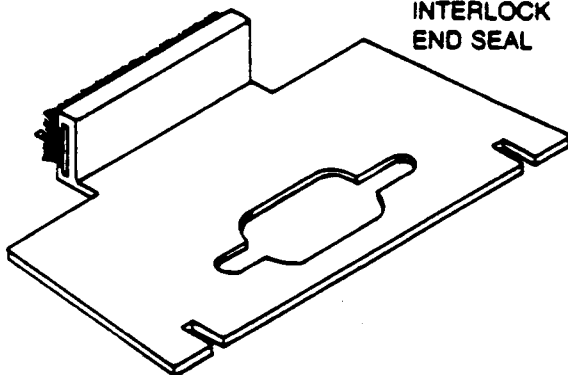
**PART DESCRIPTION...PART NUMBER...QUANTITY NEEDED**

FLEXIBLE BUMPER  
#V-431

Fixed Panel Clips  
95028



95009  
HEAD AND SILL  
INTERLOCK  
END SEAL



77101  
#8 x 3/8" END SEAL SCREW



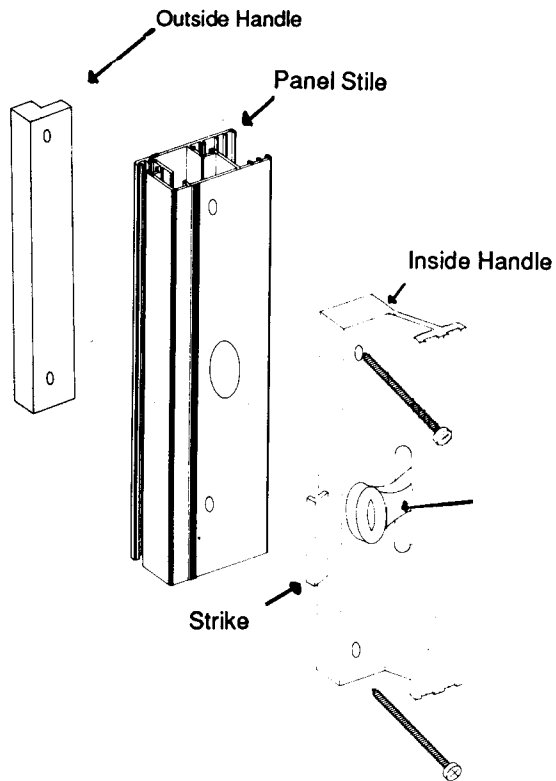
77073  
#6 x 3/8" PLAIN PANEL  
INSTALLATION  
SCREW



77997  
#8 x 1 1/4" INSTALLATION  
SCREW



77072  
#10 x 3/4" FRAME ASSEMBLY  
SCREW



77061  
#8 x 5/8" REINFORCEMENT BAR  
INTERMEDIATE JAMB - SELF  
DRILLING SCREW



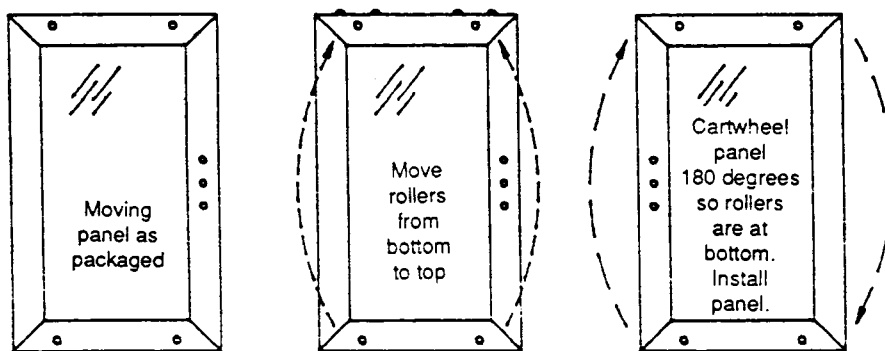
77064  
#12 x 1" PANEL ASSEMBLY  
SCREW

# SPECIAL INSTRUCTIONS FOR 950 SERIES PATIO DOOR WHEN USING VINYL PANELS

**IMPORTANT:** Read these instructions thoroughly before beginning installation. Before installing main frame, remove the weather-stripping from the interior track of the main frame jambs. After installing main frame using the "E950 Patio Door Frame Assembly and Installation Instructions", use these instructions to install panels.

**NOTE: IF YOU WANT YOUR DOOR TO OPERATE FROM RIGHT TO LEFT FROM INSIDE, SKIP STEP 1 AND GO TO STEP 2.**

1. The moving vinyl panel is made to operate from right to left as packaged. In order to reverse the operation (move from left to right), remove the rollers from the moving panel by removing the (2) screws which hold them in place. The opposite end of the panel has been punched for roller insertion. Place the rollers into the opposite end (making sure that the phillips roller adjustment screw (not standard) is on the same as the hole punched in the vinyl panel rail) and screw into place using the same screw which held them previously. Cartwheel the panel 180 degrees when installing so that the rollers are at the bottom again.

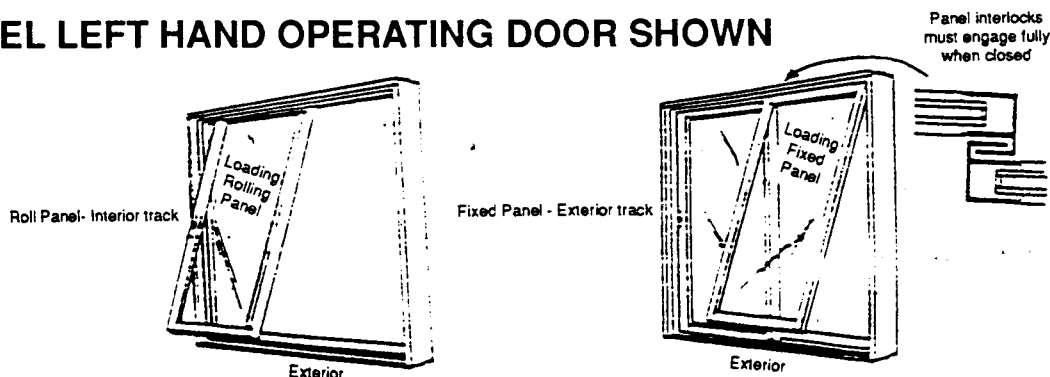


**NOTE:** THE FIXED PANEL SHOULD ALSO BE "CARTWHEELED" 180 DEGREES BEFORE INSTALLING THE MOVING PANEL. PANEL WILL "INTERLOCK" AT THE CENTER OF UNIT WHEN BOTH PANELS ARE INSTALLED PROPERLY.

## PANEL LOADING AND INSTALLING

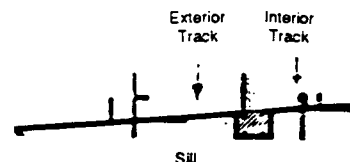
TWO PANEL LEFT HAND OPERATING DOOR SHOWN

**NOTE:** WHETHER THE ROLLERS WERE SWITCHED FOR REVERSIBILITY OR NOT, INSTALL TWO PLASTIC PLUGS IN THE HOLES AT THE TOP OF THE MOVING PANEL.

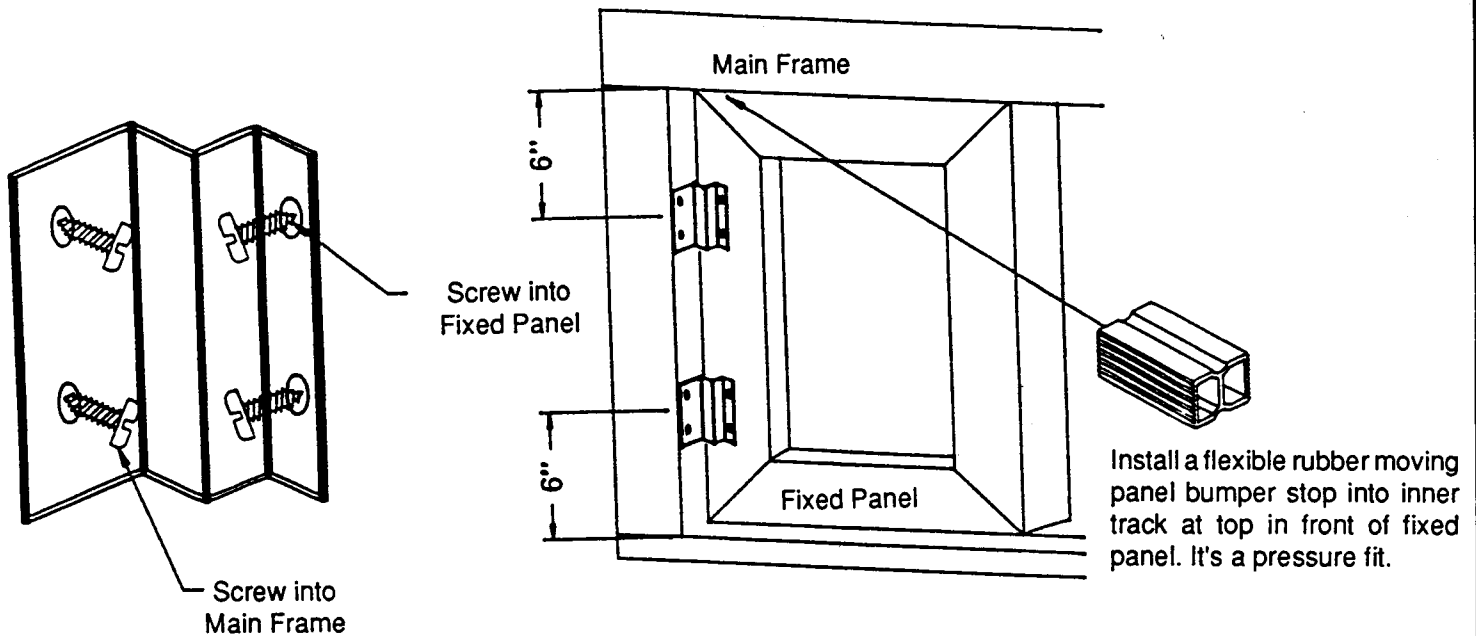


### 2. POSITIONING PANELS INTO THEIR TRACKS

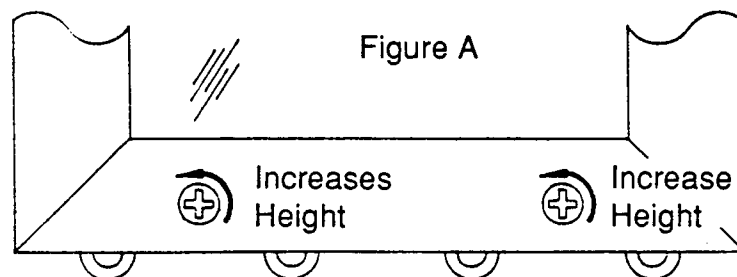
Working from outside, position panels into their tracks so that panel interlocks will engage when fixed panel is secured. Insert the rolling panel into the interior head pocket and lower onto interior sill track. Apply bumper stop at the center of the frame jamb so that it will make contact against the thermal separate or part of the rolling panel when it is in closed position. Next, insert fixed panel into the exterior head pocket and lower onto the exterior sill track. Interlocks must fully engage with rolling panel when in closed position. Push fixed panel into jamb pocket.



3. Install fixed panel brackets as shown, using (4) No. 10 x 1" screws per bracket. (2) into main frame - (2) into fixed panel. Locate brackets 6" from the top and 6" from the bottom. Drilling 1/8" pilot holes will make screw installation easier.



4. Adjust rollers to achieve smooth operation by turning screws on the inside face of the vinyl panels. (Turning the phillips screws counter-clockwise increase the panel height.)



5. After final adjustment, insert (2) remaining plastic plugs to cover adjustment screws.  
6. See hardware kit for lock/latch installation.